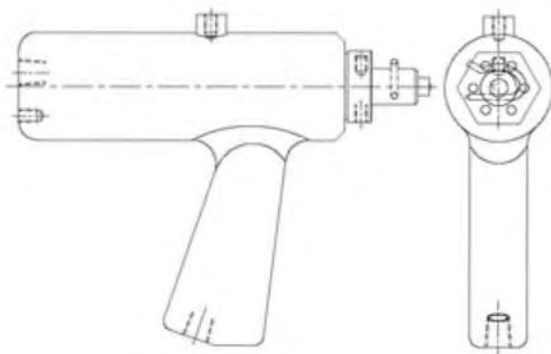


Air Hammer

Columbia's Air hammers:

- Use low cost CM8X round hammer inserts or CMG rectangular type
- Indents up to 1/4" characters in tool steel
- Compact, light-weight (2 1/2lbs)
- Requires only a 3/8" air hose for operation
- Only two moving parts assures long trouble-free operation

Dimensions: 8.6" x 6.5" x 2.5"



75 Standard Power Range	75AT
85 High Power Range	85AT
Rod Style B (round insert)	OB
Rod Style A (CMG type)	OA
Rod Style AS38 (CMG type)	OAS38

Recommended Air Hose: 3/8" I.D. min
Operating Pressure: 20 to 80psi
Max. Marking Pressure: Model 75AT is 1500lbs (at 80psi), Model 85AT is 2500lbs (at 80psi)

Stamp Capacities Rod Style "B"

(1) Pc CM8X round insert

Stamp Capacities Rod Style "A"

(4) Pc's 1/16 Char. (CMG06 Stamp Inserts)

(2) Pc's 1/8 Char. (CMG13 Stamp Inserts)

Stamp Capacities Rod Style "AS38"

(6) Pc's 1/16 Char. (CMG06 Stamp Inserts)

(3) Pc's 1/8 Char. (CMG13 Stamp Inserts)

75FRL is for use with model 75, 85, and 95 hand held air hammers



075FRL	FRL with no hose
075FRL15	FRL with 15 feet hose
075FRL20	FRL with 20 feet hose
075FRL25	FRL with 25 feet hose

POW-R-MARK

Features:

- Maximum force by a hand held air powered marking tool: 8000 lbs
- Easy to handle with minimum recoil
- Low Weight With Holder: 8 lbs
- Length With Holder: 14.5"



**Simply snap
the holder on
and off.
NO TOOLS!**

Recommended Air Hose: 3/8" ID min
Operating Pressure: 20 to 80 psi
Recommended Air Hose: 3/8" ID min
Max Marking Pressure: 8000 lbs at 80 psi

Stamp Capacity Rod Style "A"

2 pcs. 1/8" CMG13 type

4 pcs. 1/16" CMG06 type

Stamp Capacity Rod Style "B"

One CM8X style inserts. That can mark up to one 1/4" character or be engraved to suit your needs.

Rod Style "N"

Use with standard 95N holders to mark more characters or special holders for staking and seating.

95	95
Rod Style A (CMG type)	OA
Rod Style B (round insert)	OB
Rod Style N (for holder)	ON



1.12"	A M	A	95NA-50	.25	.50	8	5**	4	2*
			95NA-75	.25	.75	12	8	6	4**
			95NB-75	.31	.75				4*
			95NC-50	.38	.50				4
		B							2

*Use CMG16W groove type

**Requires use of blank spacer to fill out pocket